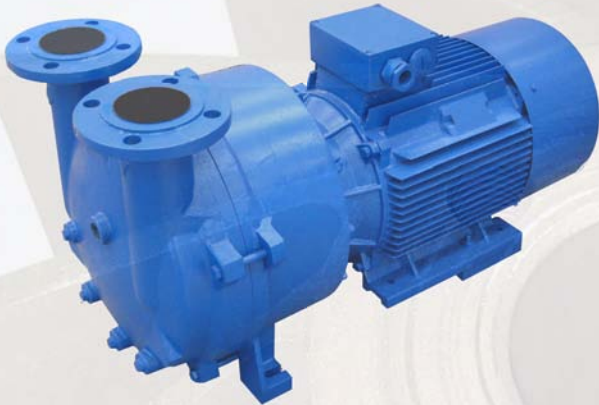


## Liquid Ring Vacuum Pumps & Compressors

2BV2 Series 2BV5 Series

Heavy Duty Applications

Bronze Impellor



Zepher UK Ltd  
Unit 2 Radnor Park Trading Estate  
Back Lane Congleton  
Cheshire CW12 4XJ  
Tel: 01260 272800  
Fax: 01260 272444

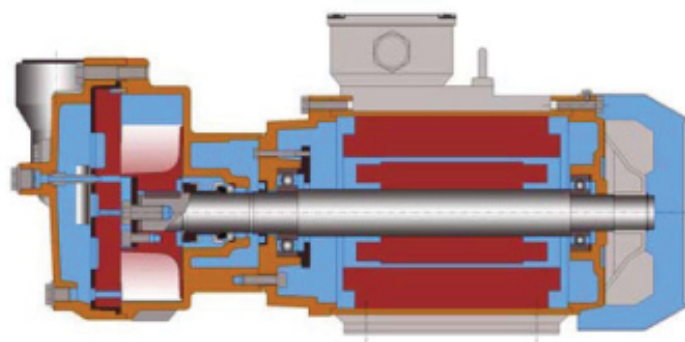
## 2BV Series Liquid Ring Vacuum Pumps & Compressors

Suction vacuum 33 mbar (abs) 97 % Vacuum

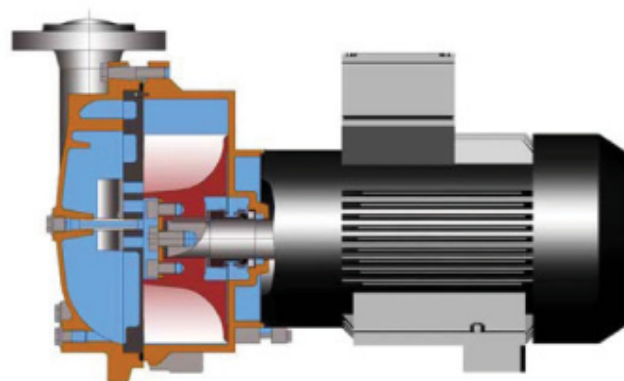
2BV-Ex Suitable for Hazardous Environments

Manufactured to ISO 9001:2000

Low Noise - Compact Design - Limited Maintenance



2BV2 Series



2BV5 Series

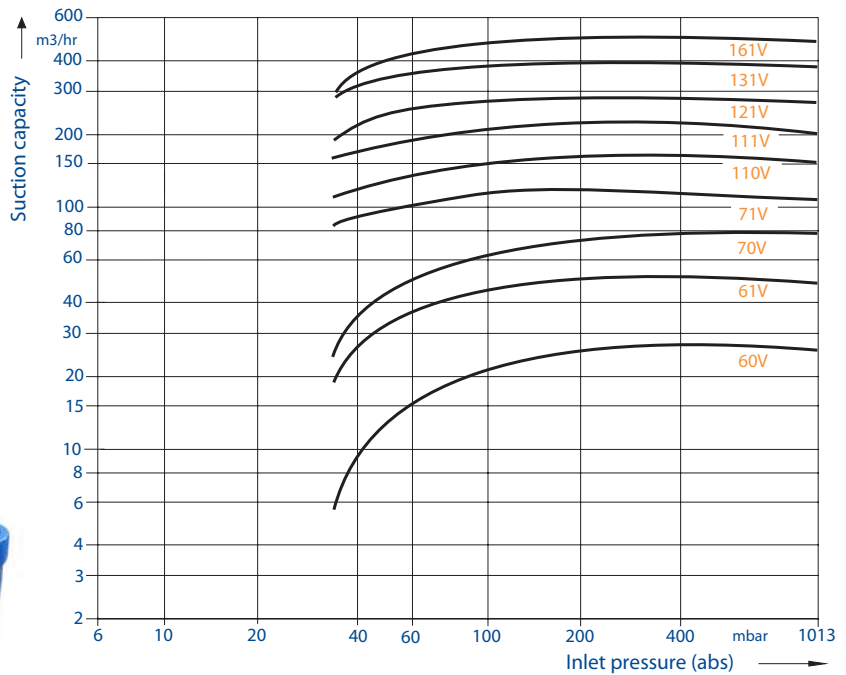
## Performance Data

Performance tolerance is +/- 10%

Liquid temp 15 Deg C

Air temp 20 Deg C

Discharge pressure 1013 mbar

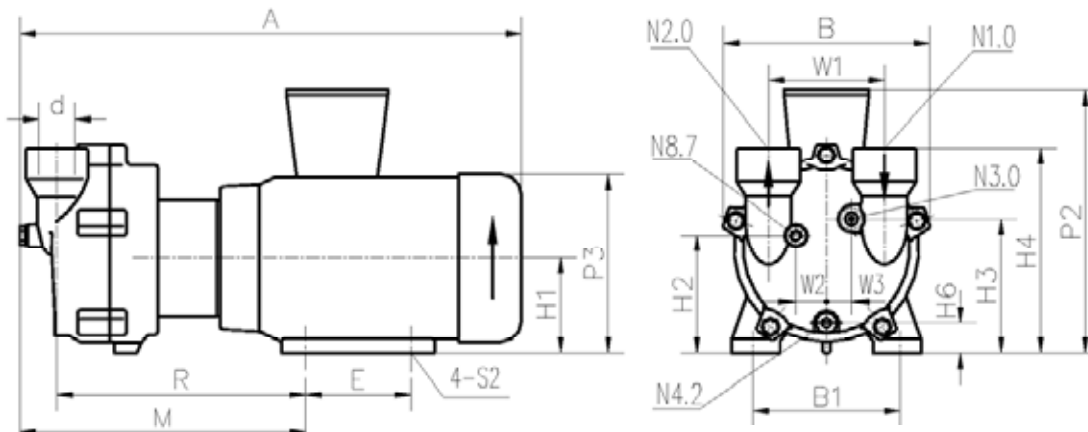


Curve Number	Model Number	Motor				Vacuum mbar	Suction m3/hr	Flow rate l/min	Noise dB(A)	Weight kg
		Output kW	Classification EX Proof	Speed R/Min	Motor Protection					
60V	2BV2 060	0.81	No	2840	IP55	33	27	2	62	31
61V	2BV2 061	1.45	No	2840	IP55	33	52	2	65	35
70V	2BV2 070	2.35	No	2860	IP55	33	80	2.5	66	56
71V	2BV2 071	3.85	No	2880	IP55	33	110	4.2	72	65
60V	2BV2 060-Ex	0.81	DIIBT4	2840	IP55	33	27	2	62	31
61V	2BV2 061-Ex	1.45	DIIBT4	2840	IP55	33	52	2	65	35
70V	2BV2 070-Ex	2.35	DIIBT4	2860	IP55	33	80	2.5	66	56
71V	2BV2 071-Ex	3.85	DIIBT4	2880	IP55	33	110	4.2	72	65
110V	2BV5 110	4	No	1440	IP55	33	165	6.7	63	103
111V	2BV5 111	5.50	No	1440	IP55	33	230	8.3	68	117
121V	2BV5 121	7.50	No	1440	IP55	33	280	10	69	149
131V	2BV5 131	11	No	1460	IP55	33	400	15	73	205
161V	2BV5 161	15	No	970	IP55	33	500	20	71	331

Zepher UK Ltd  
Unit 2 Radnor Park Trading Estate  
Back Lane Congleton  
Cheshire CW12 4XJ  
Tel: 01260 272800  
Fax: 01260 272444

## Dimensions

2BV2 series water ring vacuum pump overall dimension(Unit: mm)

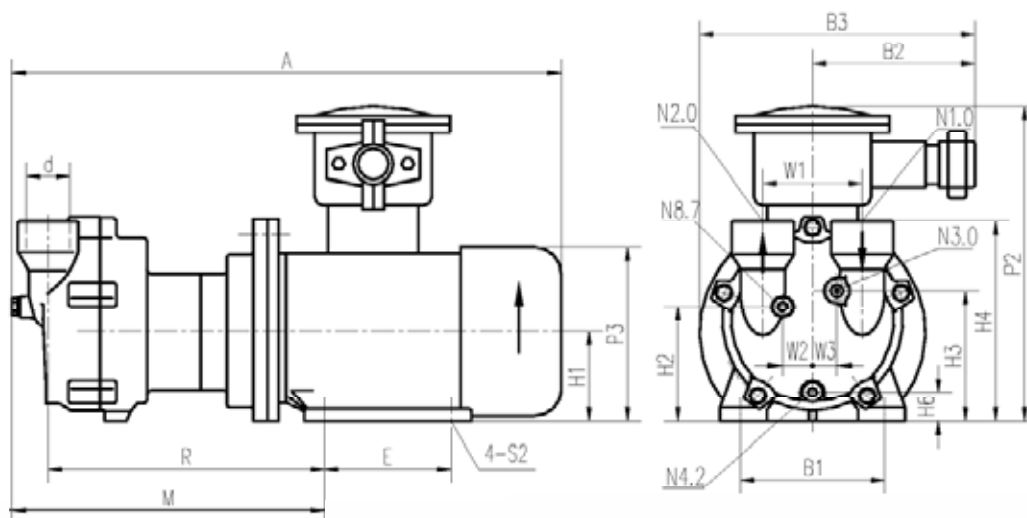


N1.0 Inlet            N3.0 Operating liquid connection    N8.7 Cavitation connection  
N2.0 Outlet        N4.2 Drain port

Type	A	B	B1	E	H1	H2	H3	H4	H6	M	P2
2BV2060	455	186	140	100	90	118	126	195	37.5	244	250
2BV2061	476	186	140	100	90	118	126	195	37.5	263	250
2BV2070	545	223	160	140	100	128	146	222	33	280	270
2BV2071	566	223	190	140	112	140	158	234	45	309	300
Type	P3	R	S2	W1	W2	W3	d	N3.0	N4.2	N8.7	
2BV2060	180	217	φ 10	110	25.5	21	G1 "	G38 "	G14 "	G38 "	
2BV2061	180	236	φ 10	110	25.5	21	G1 "	G38 "	G14 "	G38 "	
2BV2070	203	252	φ 12	110	33	27	G1½ "	G38 "	G14 "	G38 "	
2BV2071	225	278	φ 12	110	33	27	G1½ "	G38 "	G14 "	G38 "	

## Dimensions

2BV2-Ex water ring vacuum pump overall dimension(Unit: mm)

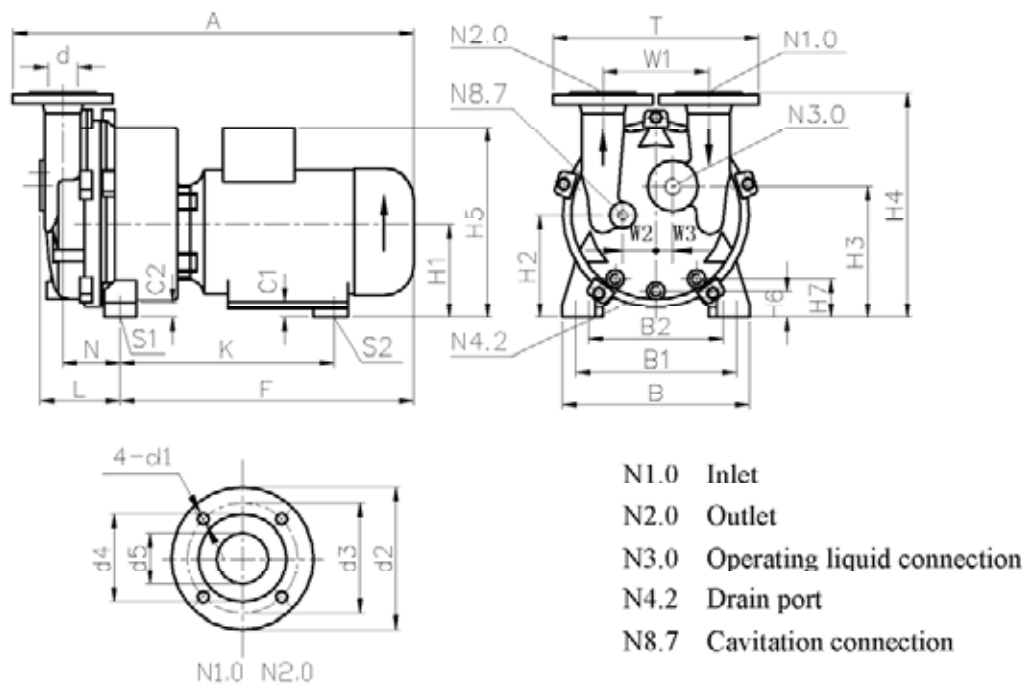


N1.0 Inlet      N3.0 Operating liquid connection      N8.7 Cavitation connection  
N2.0 Outlet      N4.2 Drain port

Type	A	B1	B2	B3	E	H1	H2	H3	H4	H6	M
2BV2060-Ex	522	125	180	280	100	80	108	116	185	27.5	282
2BV2061-Ex	555	140	180	280	100	90	118	126	195	37.5	301
2BV2070-Ex	634	160	180	305	140	100	128	146	222	33	317
2BV2071-Ex	674	190	200	325	140	112	140	158	234	45	344
Type	P2	P3	R	S2	W1	W2	W3	d	N3.0	N4.2	N8.7
2BV2060-Ex	320	165	255	φ 10	110	25.5	21	G1 "	G3/8 "	G1/4 "	G3/8 "
2BV2061-Ex	350	180	274	φ 10	110	25.5	21	G1 "	G3/8 "	G1/4 "	G3/8 "
2BV2070-Ex	400	205	289	φ 12	110	33	27	G1½ "	G3/8 "	G1/4 "	G3/8 "
2BV2071-Ex	420	230	313	φ 12	110	33	27	G1½ "	G3/8 "	G1/4 "	G3/8 "

## Dimensions

2BV5 water ring vacuum pump overall dimension(Unit: mm)



Type	A	B	B1	B2	C1	C2	H1	H2	H3	H4	H5	H6	H7	K	L	F
2BV5110	637	325	255	190	41	26	140	156	202	361	328	38	57	342	130	464
2BV5111	679	325	265	216	36	26	150	166	212	371	363	48	68	348	130	500
2BV5121	771	347	265	216	36	26	150	167	217	385	363	39	60	430	147	584
2BV5131	852	377	300	254	35	30	175	194	249	427	435	53	76	477.5	147	658.5
2BV5161	1044	479	370	279	30	30	210	225	303	521	485	51	80	565	201	808
Type	N	S1	S2	T	d1	d2	d3	d4	d5	W1	W2	W3	d	N3.0	N4.2	N8.7
2BV5110	92	φ12	φ12	340	19	160	123	97	52	180	52	27	DN50	G34"	G38"	G38"
2BV5111	92	φ12	φ12	340	19	160	123	97	52	180	52	27	DN50	G34"	G38"	G38"
2BV5121	97	φ12	φ12	381.5	19	182	142	113	66.5	200	57	29	DN65	G34"	G38"	G38"
2BV5131	103	φ15	φ15	381.5	19	182	142	113	66.5	200	57	29	DN65	G34"	G38"	G38"
2BV5161	138	φ15	φ15	450	22	200	156	130	80	250	81	41	DN80	G34"	G38"	G38"