

Rotary Vane Vacuum Pumps Oil Lubricated

VRTL2 VRTL3 VRTL4



Low Maintenance

Air Cooled Design

Single stage

Integrated closed loop oil recirculation system

Zepher UK Ltd
Unit 2 Radnor Park Trading Estate
Back Lane Congleton
Cheshire CW12 4XJ
Tel: 01260 272800
Fax: 01260 272444

Rotary Vane Vacuum Pumps

Oil Lubricated

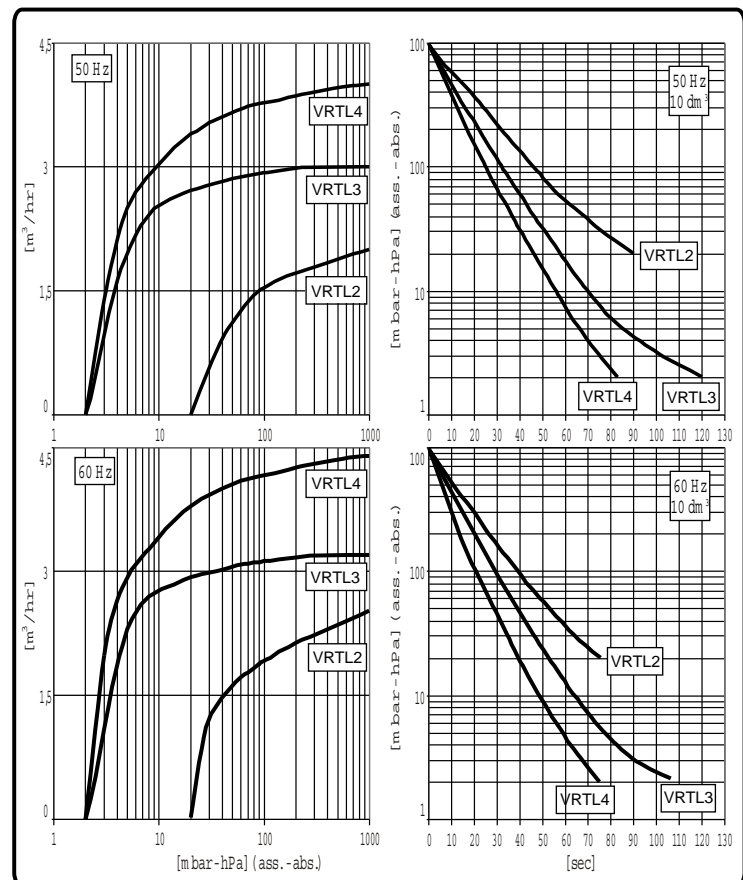


VRTL2 VRTL3 VRTL4

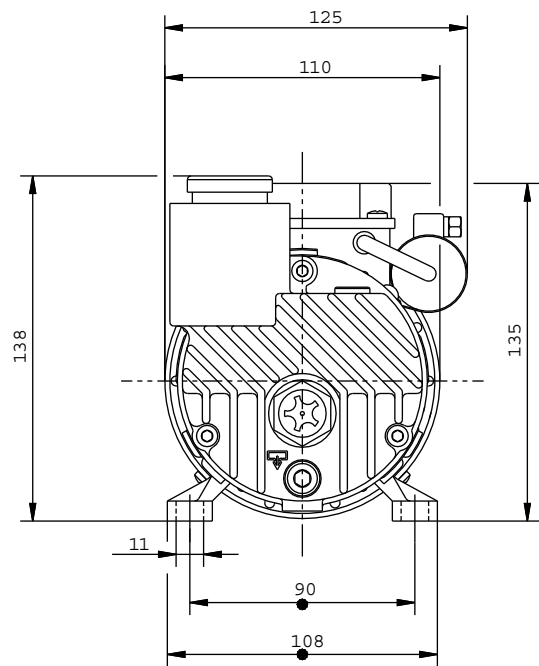
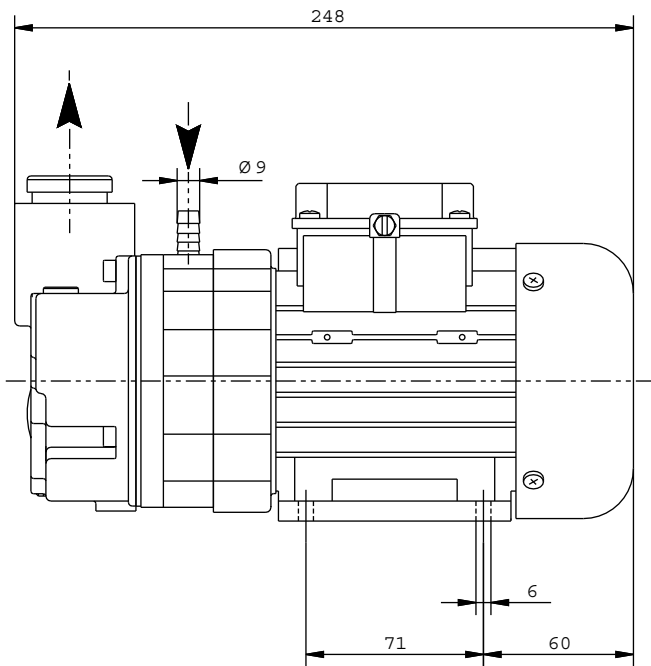
- Extremely reliable for many industrial applications
- Gas ballast valve as standard
- High efficiency exhaust filter removal 99.9% exhaust fumes
- Less vanes than other rotary vane vacuum pumps
- Longer vane life and less vane replacement
- Heavy duty construction
- Compact design - Small footprint
- Low noise level - Air cooled design
- Direct drive - Easy to install
- Low maintenance

Model	VRTL2		VRTL3		VRTL4			
	50Hz	60Hz	50Hz	60Hz	50Hz	60Hz		
Flow	m ³ /hr		2	2,5	3	3,2	4	4,4
Pressure	m bar		20		2			
	hPa						2	
Max Inlet Pressure	m bar		--	--	--	--	--	--
	hPa		--	--	--	--	--	--
Max vapour pumping rate	kg/h		--	--	--	--	--	--
			--	--	--	--	--	--
Motor power	(1-) Kw		0,12	0,15	0,12	0,15	0,12	0,15
	(3-) Kw		0,12	0,14	0,12	0,14	0,12	0,14
R.p.m	n/min		2800	3300	2800	3300	2800	3300
Noise Level (1 metre)	dB (A)		57	59	56	58	57	59
Operating temp*	°C		60÷65	65÷70	60÷65	65÷70	60÷65	65÷70
			BV32 (SW 40)					
Oil type			BV32 (SW 40)					
Oil quantity	dm ³		0,06					
Weight	(1-) Kw				5,4 [52,9]			
	(3-) Kw							
Pump intake			Ø 9					

(*) Ambient temp 20°C



Dimensions



Rotary Vane Vacuum Pumps Oil Lubricated

VRTL6 VRTL8 VRTL12



Low Maintenance

Air Cooled Design

Single stage

Integrated closed loop oil recirculation system

Zepher UK Ltd
Unit 2 Radnor Park Trading Estate
Back Lane Congleton
Cheshire CW12 4XJ
Tel: 01260 272800
Fax: 01260 272444

Rotary Vane Vacuum Pumps

Oil Lubricated

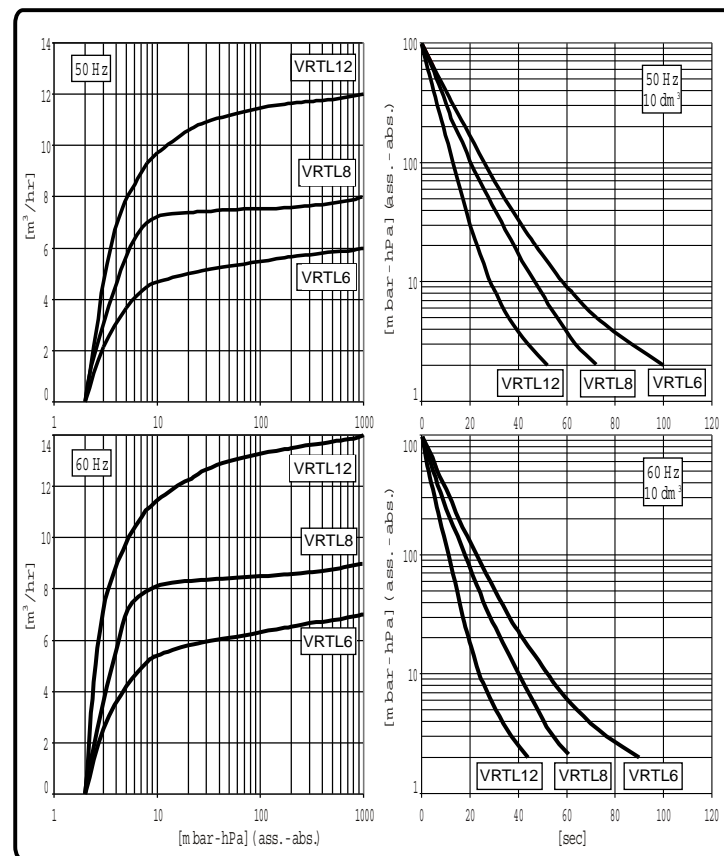


VRTL6 VRTL8 VRTL12

- Extremely reliable for many industrial applications
- Gas ballast valve as standard
- High efficiency exhaust filter removal 99.9% exhaust fumes
- Less vanes than other rotary vane vacuum pumps
- Longer vane life and less vane replacement
- Heavy duty construction
- Compact design - Small footprint
- Low noise level - Air cooled design
- Direct drive - Easy to install
- Low maintenance

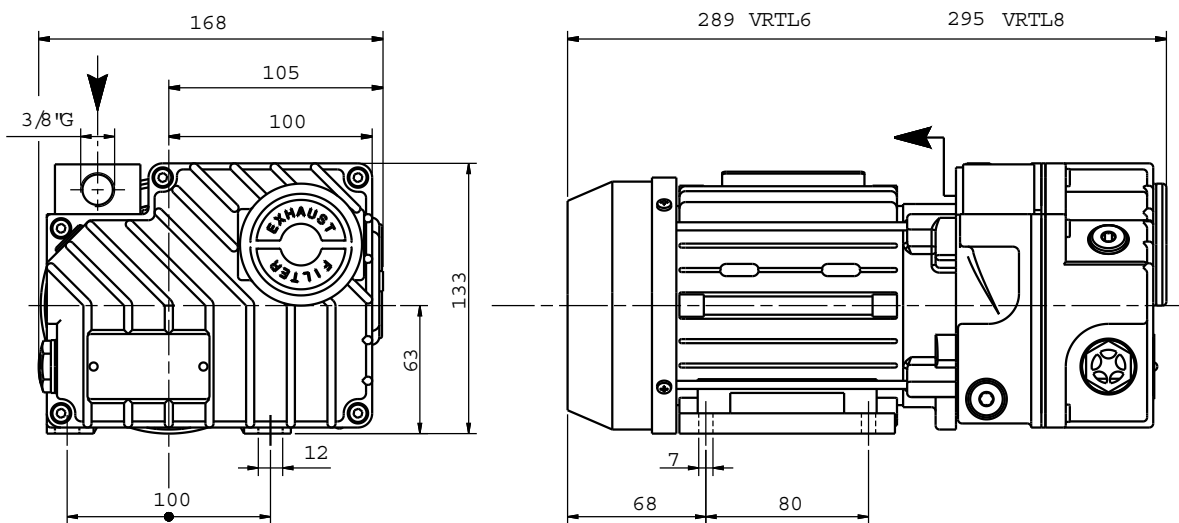
Model	VRTL6		VRTL8		VRTL12			
	50Hz	60Hz	50Hz	60Hz	50Hz	60Hz		
Flow	m ³ /hr		6	7	8	9	12	14
Pressure	m bar hPa		2					
Max Inlet Pressure	m bar hPa		--	--	--	--	40	
Max vapour pumping rate	kg/h		--	--	--	--	0,3	
Motor power	(1~) Kw (3~) Kw	0,25 0,30	0,25 0,30	0,25 0,30	0,45 0,54	0,55 0,66		
R.p.m	n/min	2800 3300	2800 3300	2800 3300	2800 3300	2800 3300		
Noise Level (1 metre)	dB (A)	58 60	58 60	60 62				
Operating temp*	C ^o	65÷70 70÷75	70÷75 75÷80	65÷70 70÷75				
Oil type		BV32 (SW 40)						
Oil quantity	dm ³	0,20	0,20	0,25÷0,30				
Weight		10 [98,1] 9 [88,3]	10 [98,1] 9 [88,3]	15,5 [152,0] 14 [137,3]				
Pump intake	(1~) Kw (3~) Kw	kg [N]	3/8" G	3/8" G	1/2" G			

(*) Ambient temp 20°C

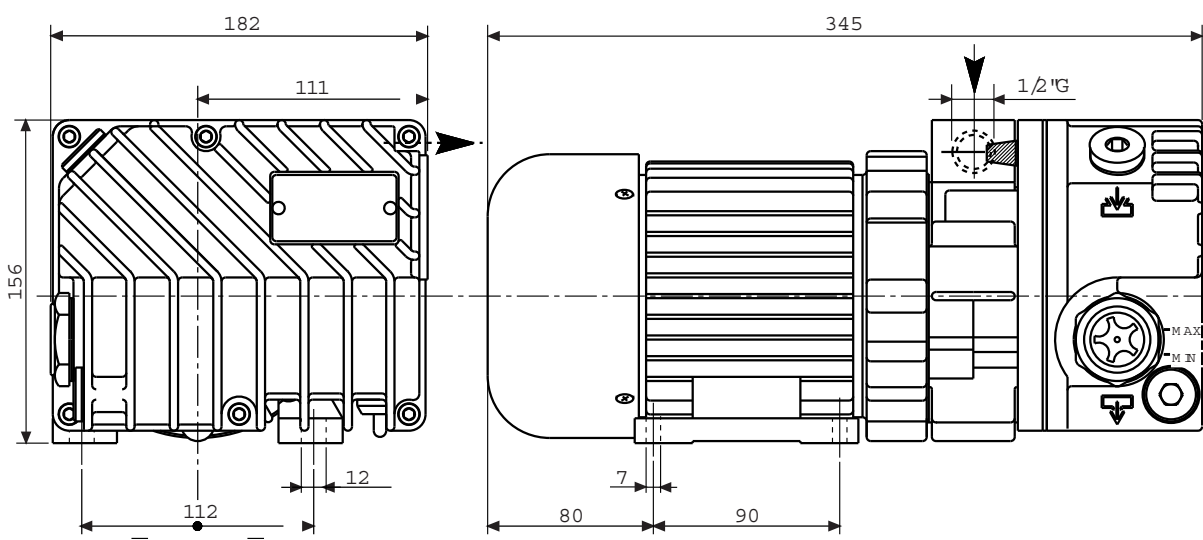


Dimensions

VRTL6 VRTL8



VRTL12



Zepher UK Ltd
Unit 2 Radnor Park Trading Estate
Back Lane Congleton
Cheshire CW12 4XJ
Tel: 01260 272800
Fax: 01260 272444