

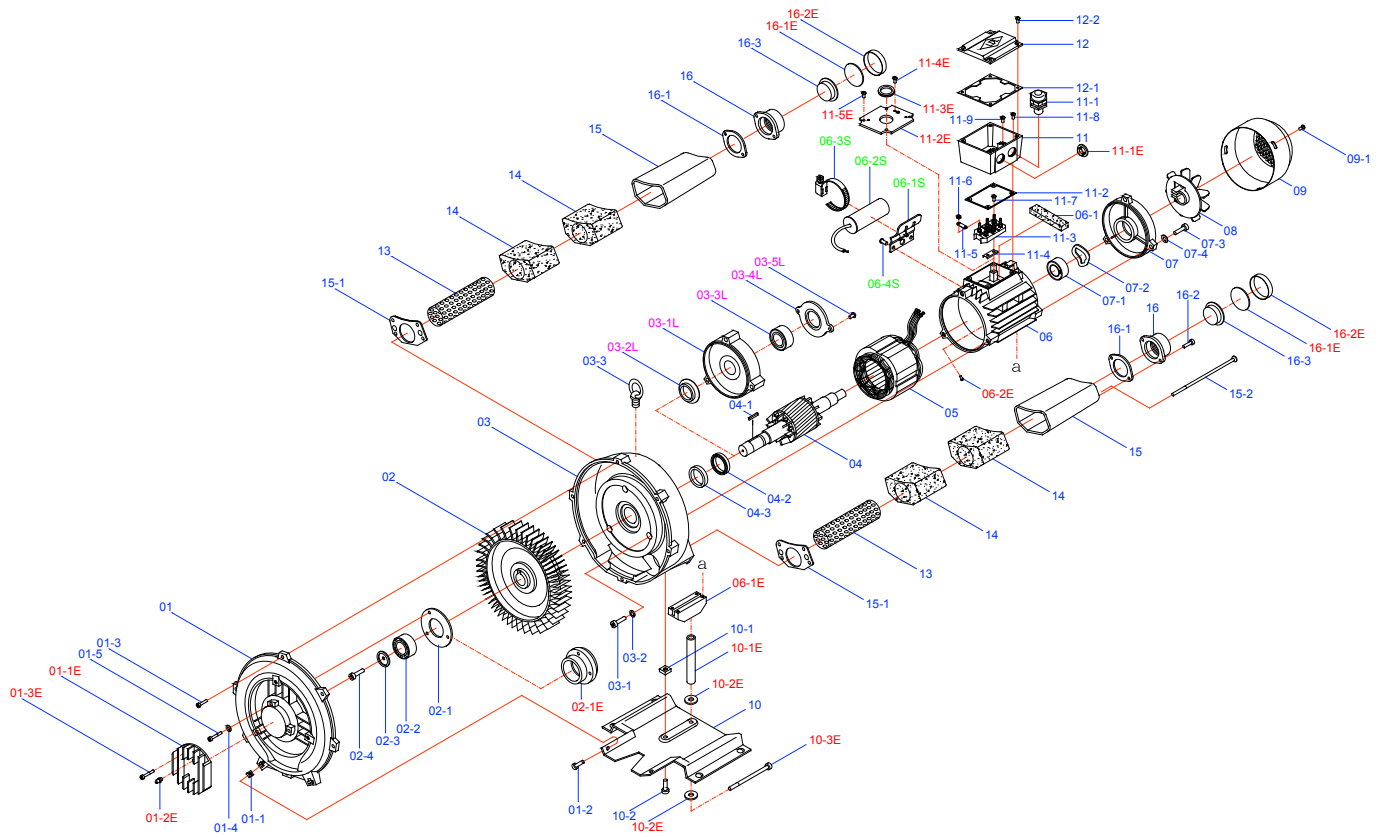
# Spare Parts

## RT Range



> Spare Parts

> Single Stage



ITEM	PART NAME	ITEM	PART NAME	ITEM	PART NAME	ITEM	PART NAME
01	Compressor Cover	04	Rotor	08	Fan	12	Terminal Box Cover
01-1E	Front Bearing Cover	04-1	Key	09	Fan Cover	12-1	Rubber Gasket ( Upper )
01-2E	Nipple	04-2	Oil Seal	10	Base	13	Silencer Mesh
02	Impeller	04-3	Felt Ring	10-1E	Support	14	Silencer Foam
02-1	Inner Bearing Cover	05	Stator & Coil	11	Terminal Box	15	Silencer Casing
02-2	Front Bearing	06	Motor Housing	11-1	Cable Gland	15-1	Silencer Gasket
02-3	Disc	06-1	Sponge Filler	11-2	Rubber Gasket ( Under )	16	Inlet / Outlet Flange
02-1E	Bearing Socket	06-1E	Bracket	11-3	Terminal Board	16-1	Inlet ( Outlet ) Gasket
03	Compressor Housing	06-1S	Capacitor Bracket	11-4	Board Base	16-3	Inlet ( Outlet ) Plug
03-3	Bronze Ring	06-2S	Capacitor	11-5	Wire Connection	16-1E	Inlet ( Outlet ) Plate
03-1L	Middle Motor Cover	06-3S	Steel Clip	11-6	Nut	16-2E	Inlet ( Outlet ) Cover
03-2L	VA-Seal	07	Motor Cover	11-1E	Plug	Parts not listed are standard ones, e.g nut,screw,washer...	
03-3L	Front Bearing WP	07-1	Rear Bearing	11-2E	Steel Plate		
03-4L	Bearing Washer	07-2	Wave Washer	11-3E	Rubber Ring		