

Vacuum Filters

MFCV Range



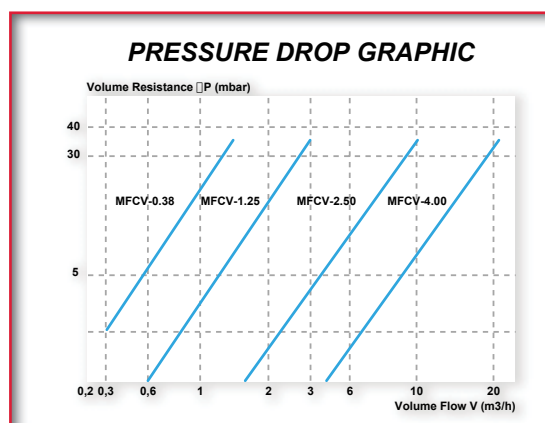
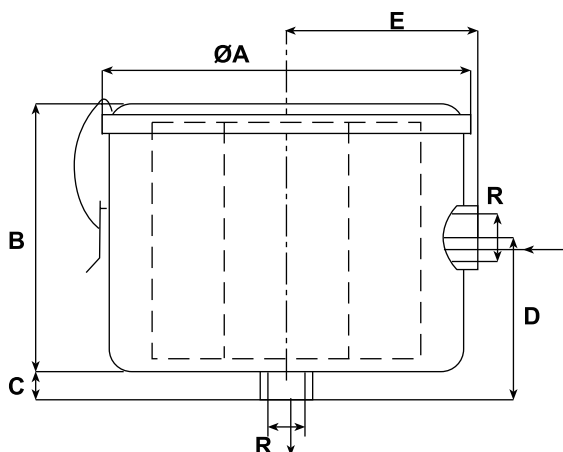


VACUUM FILTERS

Compact Inlet Vacuum Filters, (1 1/4" - 4" BSP)
Compatible with all Vacuum Manufacturers
Worldwide. The Filters will give high levels of
Secondary filtration, 2 micron with efficiency
At 99%. Filters are factory tested to relevant
Standards prior to shipment.

> Technical Data for MFCV Range

MODEL No:	FLOW RATE M3/Hr	DIMENSIONS						WEIGHT Kg
		R	A	B	C	D	E	
MFCV-0.38	24	G.3/8"	80	66	12	39	453	0.25
MFCV-0.50	42	G.1/2"	110	76	14	53	54	0.56
MFCV-0.75	42	G.3/4"	110	76	14	53	54	0.56
MFCV-1.25	96	G.1 1/4"	133	85	17	53	78	0.96
MFCV-1.50	192	G.1 1/2"	170	170	18	124	100	2.1
MFCV-2.00	310	G.2"	200	240	18	124	114	3.8
MFCV-2.50	360	G.2 1/2"	200	240	18	124	114	3.9
MFCV-3.00	550	G.3"	270	180	50	145	165	12.5
MFCV-4.00	720	G.4"	270	180	50	145	165	13.8



QUALITY SYSTEM CERTIFIED BY DNV =ISO 9001/2000=