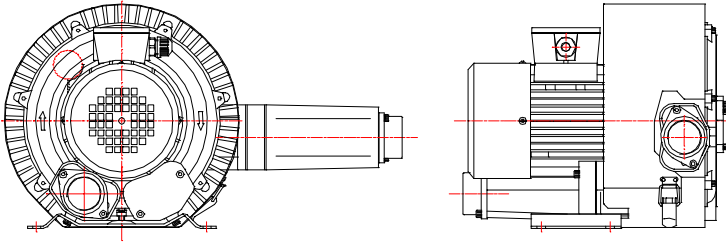
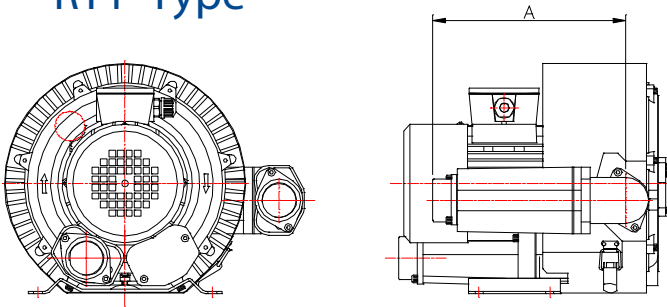


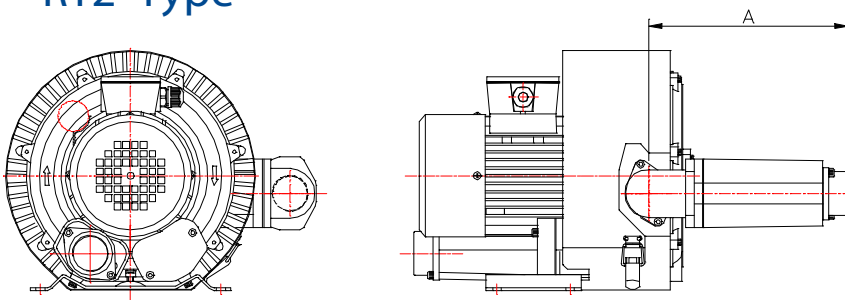
RT Type



RT1 Type



RT2 Type



- Large flow type
- High vacuum/pressure type